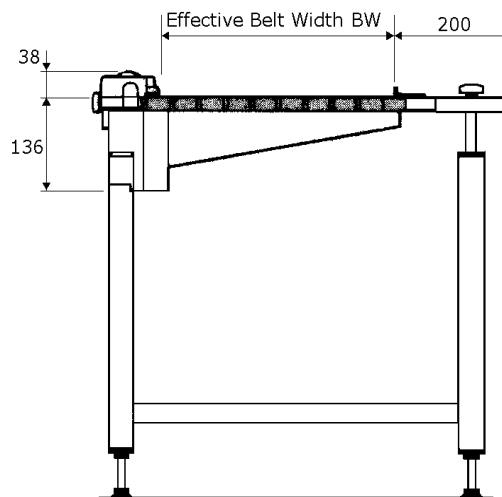
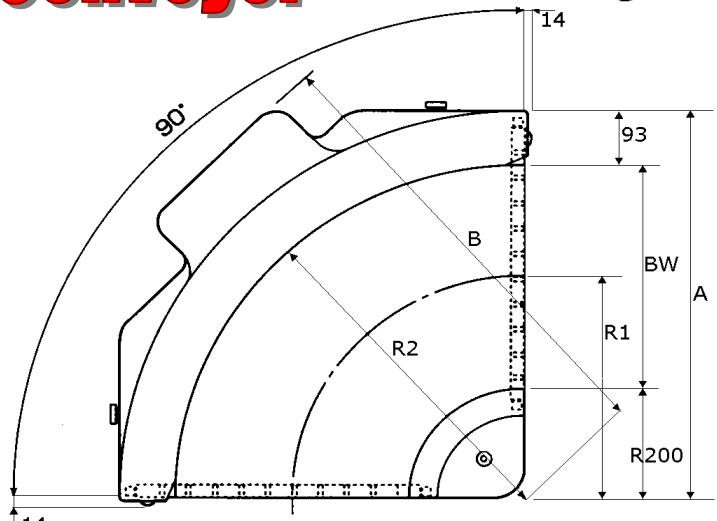


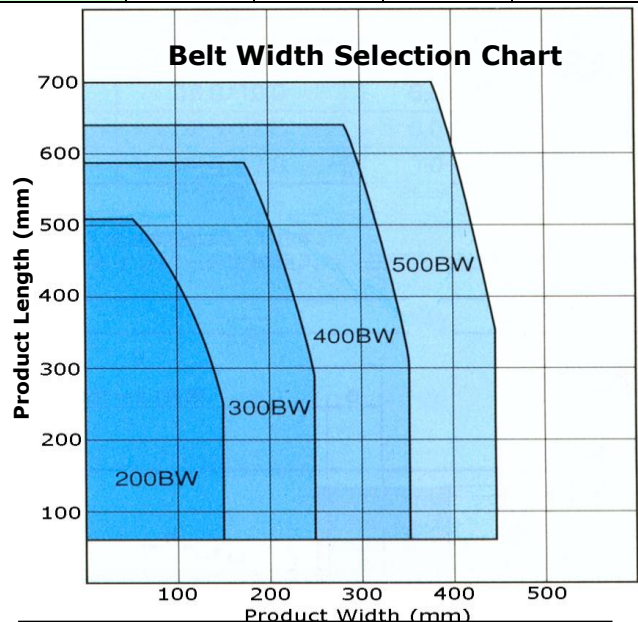
# BNC 90° Curve Belt Conveyor from okura®



## Specifications

Belt Widths BW (mm)	200, 300, 400, 500
Inside Radius (mm)	200
Drive Unit Height (mm)	150
End Roller	Ø 21mm Straight Roller
Drive Type	Circumferential friction drive
Available Speeds	1.7 ~ 10m/min or 5 ~ 30m/min
Motor Types	90 watt 230v/1 phase 90 watt 230v/3phase
Control Box Types	- Fixed speed stop/start - Variable speed stop/start with Speed variation knob
Capacity	5Kg/unit with variable speed and horizontal load.
Standard Guided Belt Types	1 Ply Green or White Polyurethane

BW	A	B	R1	R2
200	493	603	300	400
300	593	703	350	500
400	693	803	400	600
500	793	903	450	700



[www.conveyors.ie](http://www.conveyors.ie) [www.lvpconveyors.co.uk](http://www.lvpconveyors.co.uk)