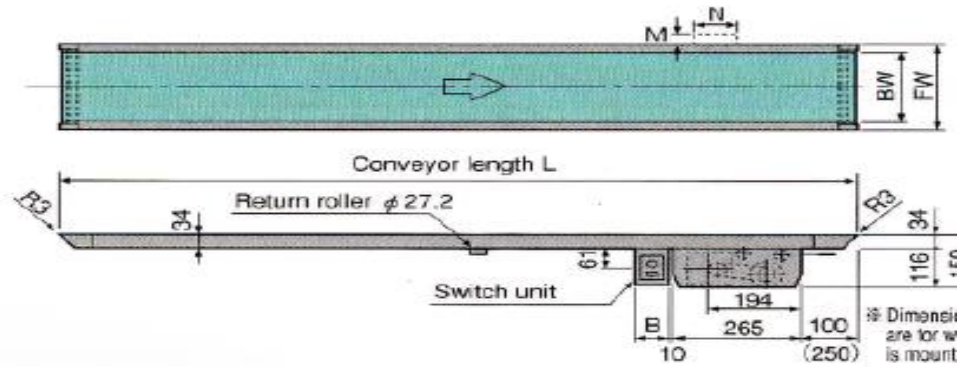


## BMS –Knife Edge Conveyor

okura®



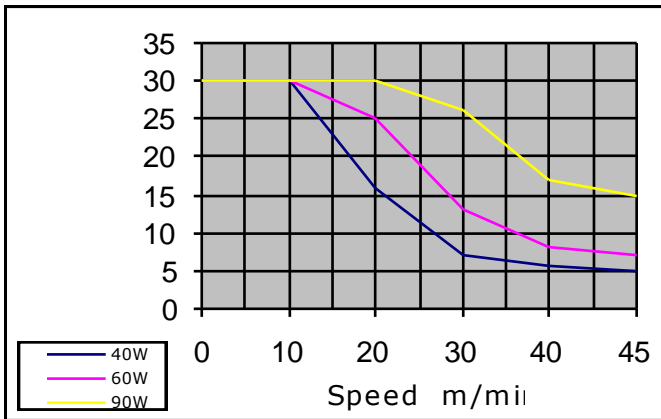
- Support is optional.
- The photograph specifications are: 180mm belt width x 1500mm conveyor length.
- The standard belt is white.



Belt Widths BW (mm)	80	130	180	230	280	380	480		
Frame Width FW (mm)	135	185	235	335	435	535	635		
Lengths (mm)	1000, 1500, 2000, 2500, 3000, 3500, 4000								
Available speed range (m/min)	0.8 ~ 45								
Carrier Frame Construction	Anodised Aluminium Extrusion								
Motor Types	40,60,90 watt 110 + 230v/1 phase 40,60,90 watt 230v/3phase 40,60,90 watt 400v/3phase 120 watt Brushless DC motors 230v/1 phase								
Control Box Types	- Fixed speed stop/start - Variable speed stop/start with speed variation knob								
Drive Position	Below carrier frame								
Standard Guided Belt Types	1 or 2 Ply Green or White PU, 1 Ply Green high duty grip face 1 Ply PVC Diamond grey grip face.								
Standard Guides	25x13x3mm anodised aluminium angle fixed and adjustable side guides. (see overleaf)								
Reversible	Yes								
Maximum load (kg)	30								

[www.conveyors.ie](http://www.conveyors.ie)   [www.lvpconveyors.co.uk](http://www.lvpconveyors.co.uk)

**Capacity Graph**



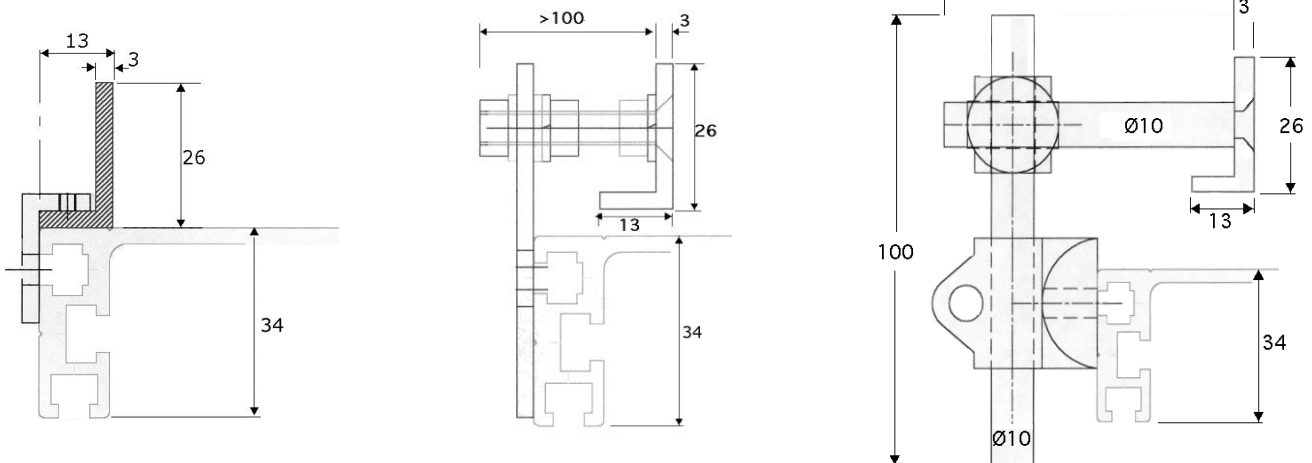
\*Graph provided for guide purposes only. Capacities are approximated using 40, 60 + 90 watt / 230v / 3 phase motors.

Capacities may vary with operating conditions.

**Standard Guide Rails**

(All dimensions mm)

Guide rail material - anodised aluminium.

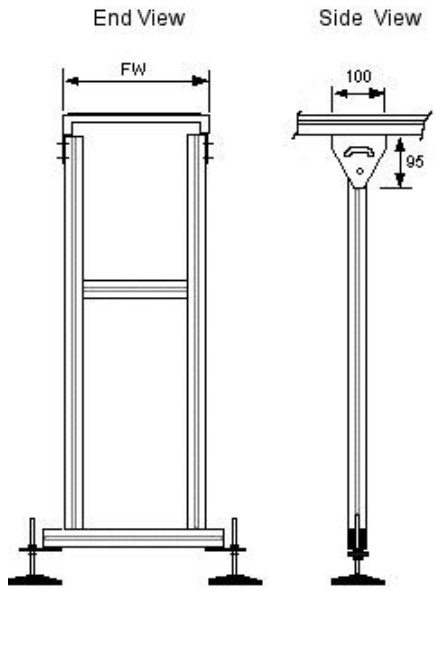


Fixed

Horizontally adjustable

Horizontally and vertically

■ **Supports**



(All dimensions mm)

**BSH** =Anodised aluminium 40x40mm.  
Threaded adjustment +/-50mm.

BSH Supports fitted with Ø100mm black polyimide base with 120mm x M12 thread,  
or optional Ø75mm nylon wheel plate mounted castor with swivel and brake.