

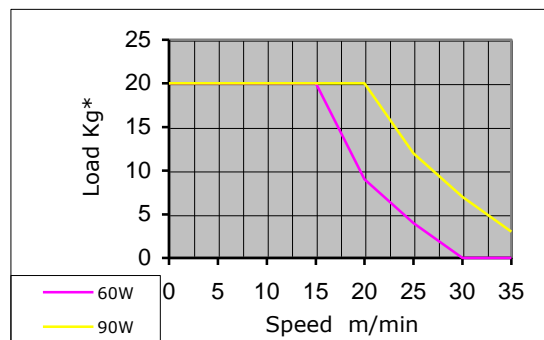
# okura® JBM Stainless Steel Belt Conveyor (JMG guided belt version)



## ■ Specifications

Belt Widths BW (mm)	100	150	200	250	300	400	500
Frame Width FW (mm)	600	135	185	235	285	335	435
	635						
Lengths (mm)	600 ~ 9,000						
Available speed range (m/min)	0.8 ~ 40						
Carrier Frame Construction	304 Grade Stainless Steel						
Motor Types	60,90 watt 230v/1 phase (IP65)						
Control Box Types	- Fixed speed stop/start - Variable speed stop/start + speed variation (internal keypad)						
Drive Position (Head drive + centre drive)	Above or below carrier frame						
Standard Belt Types	1 or 2 Ply White PU (FDA Approved)						
Standard Guides	Fixed stainless steel Height and width adjustable stainless steel						
Max. load (kg)	10kg / metre						

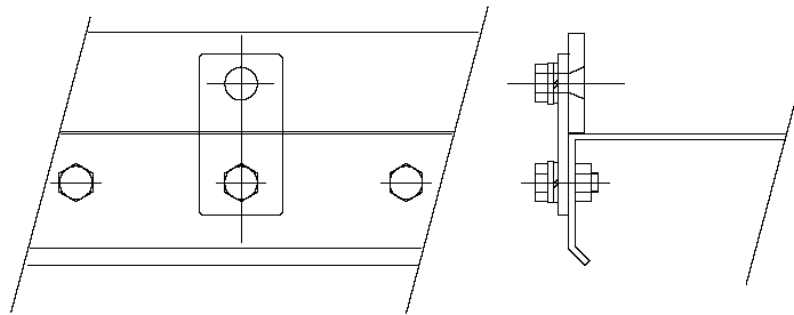
## ■ Capacity Graph



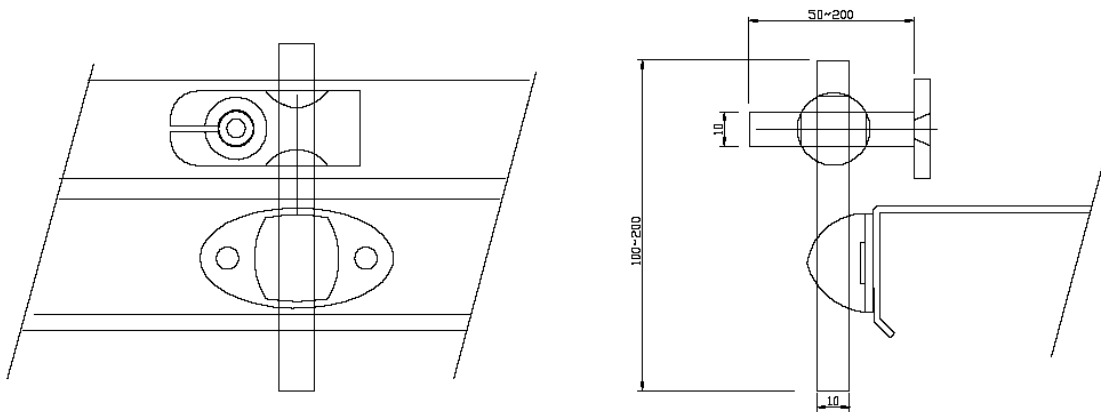
Capacities may vary with operating conditions.

\*Graph provided for guide purposes only. Capacities are approximated using 90 watt / 230v / 3 phase motors.

■ **Standard Guide Rails**



30x5mm 304 Stainless steel flat bar fixed side guide

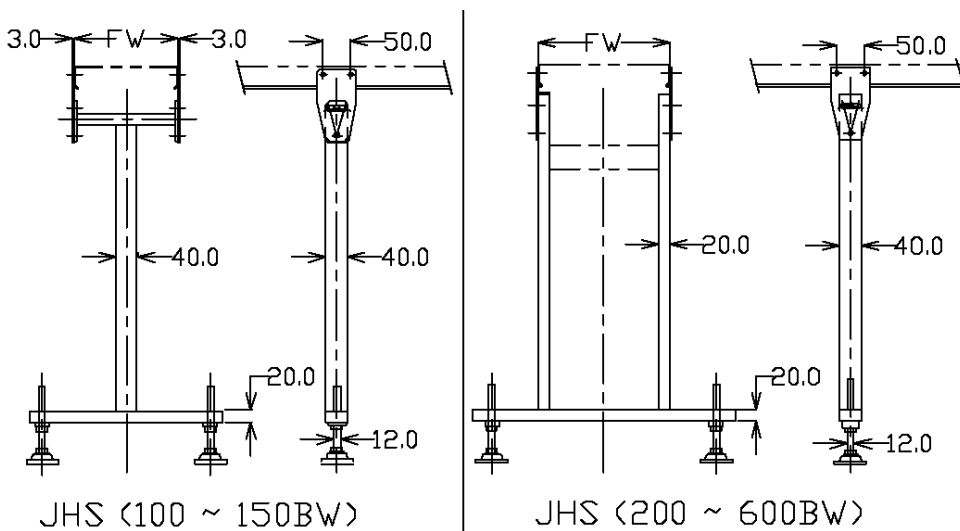


30X5mm 304 Stainless steel height and width adjustable

\* Special guide rail types available on request.

■ **Supports**

(All dimensions mm)

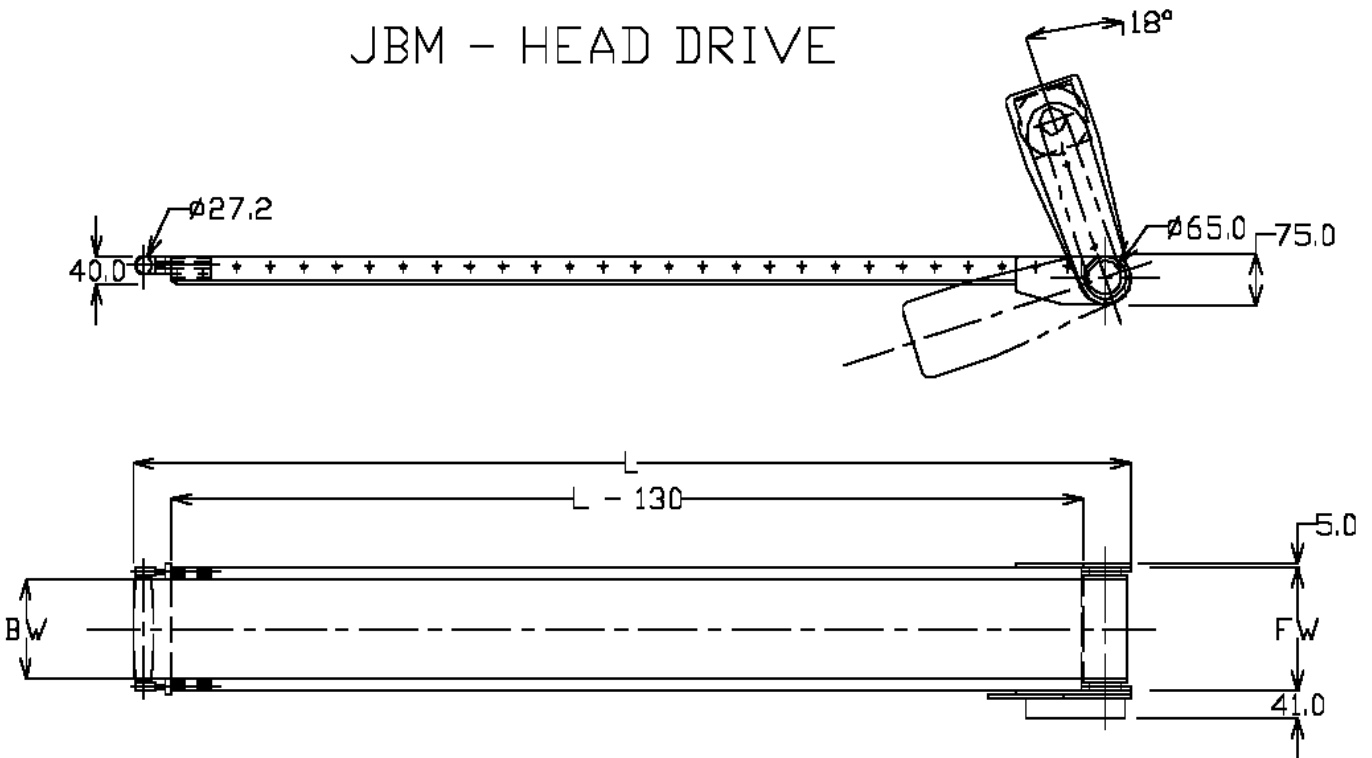


JHS (100 ~ 150BW)

JHS (200 ~ 600BW)

**JHS** = 40x40mm 304 stainless steel 2mm wall hollow section construction. Threaded foot adjustment +/-50mm, fitted with Ø100mm black polyimide base with 120mm x M12 stainless steel thread or optional Ø75mm nylon or rubber wheel plate mounted castor with swivel and brake.

### JBM - HEAD DRIVE



### JBM - CENTRE DRIVE

