

JMC –Jabucon Stainless Curve

okura®



■ Specifications

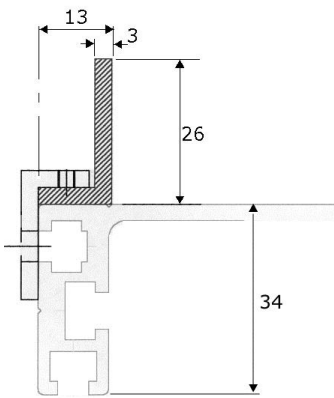
Belt Widths BW (mm)	200	300	400	500	600				
Frame Width FW (mm)									
Available speed range (m/min)	0.8 ~ 30								
Carrier Frame Construction	Stainless Steel 304								
Motor Types	40,60,90 watt 110 + 230v/1 phase 40,60,90 watt 230v/3phase 40,60,90 watt 400v/3phase 120 watt Brushless DC motors 230v/1 phase								
Control Box Types	- Fixed speed stop/start - Variable speed stop/start with speed variation knob								
Drive Position	Below carrier frame								
Standard Guided Belt Types	1 or 2 Ply White PU,								
Standard Guides	25x13x3mm stainless steel fixed and adjustable side guides.								
Reversible	No								
Maximum load (kg)	30								

www.conveyors.ie www.lvpconveyors.co.uk

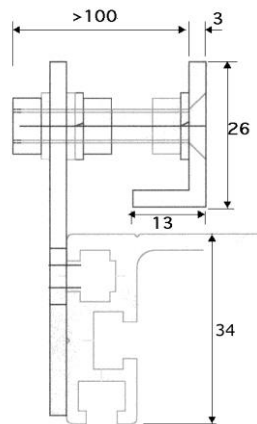
Standard Guide Rails

(All dimensions mm)

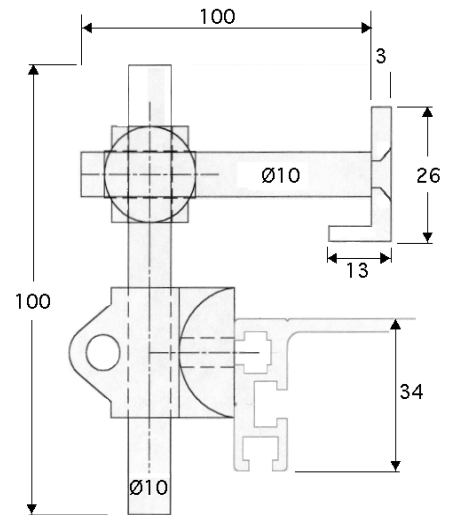
Guide rail material - anodised aluminium.



Fixed



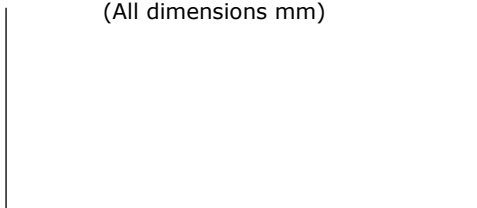
Horizontally adjustable



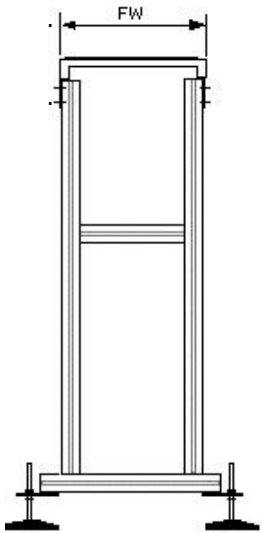
Horizontally and vertically

Supports

(All dimensions mm)



End View



Side View

