

# JMK –Jabucon Cleated Convyor

okura®



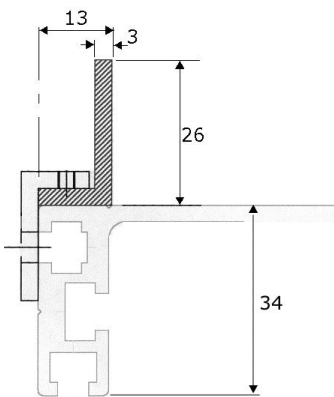
Belt Widths BW (mm)	100	150	200	250	300	400	500		
Frame Width FW (mm)	135	185	235	285	335	435	535		
Lengths (mm)	1000, 1500, 2000, 2500, 3000								
Available speed range (m/min)	0.8 ~ 45								
Carrier Frame Construction	Stainless Steel 304								
Motor Types	40,60,90 watt 110 + 230v/1 phase 40,60,90 watt 230v/3phase 40,60,90 watt 400v/3phase 120 watt Brushless DC motors 230v/1 phase								
Control Box Types	- Fixed speed stop/start - Variable speed stop/start with speed variation knob								
Drive Position	Below carrier frame								
Standard Guided Belt Types	1 or 2 Ply White PU,								
Standard Guides	25x13x3mm stainless steel fixed and adjustable side guides.								
Reversible	Yes								
Maximum load (kg)	30								

[www.conveyors.ie](http://www.conveyors.ie)   [www.lvpconveyors.co.uk](http://www.lvpconveyors.co.uk)

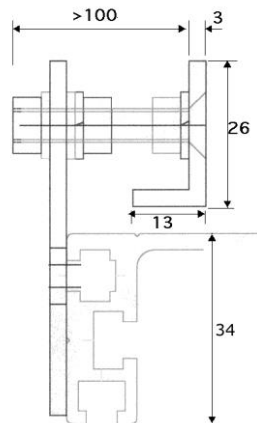
**Standard Guide Rails**

(All dimensions mm)

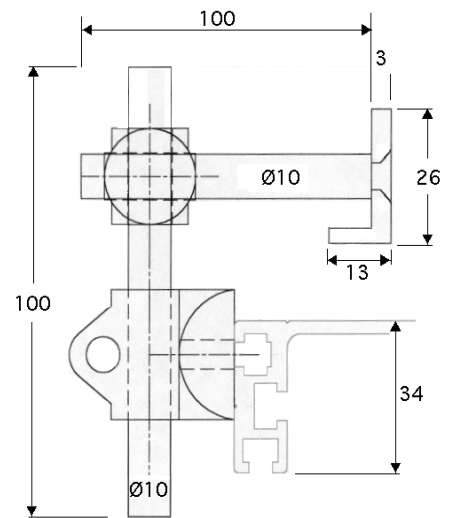
Guide rail material - anodised aluminium.



Fixed



Horizontally adjustable

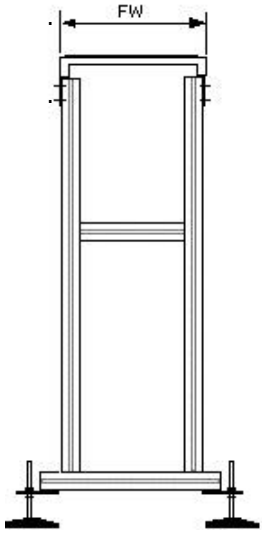


Horizontally and vertically

**Supports**

(All dimensions mm)

End View



Side View

